

FIG. 1

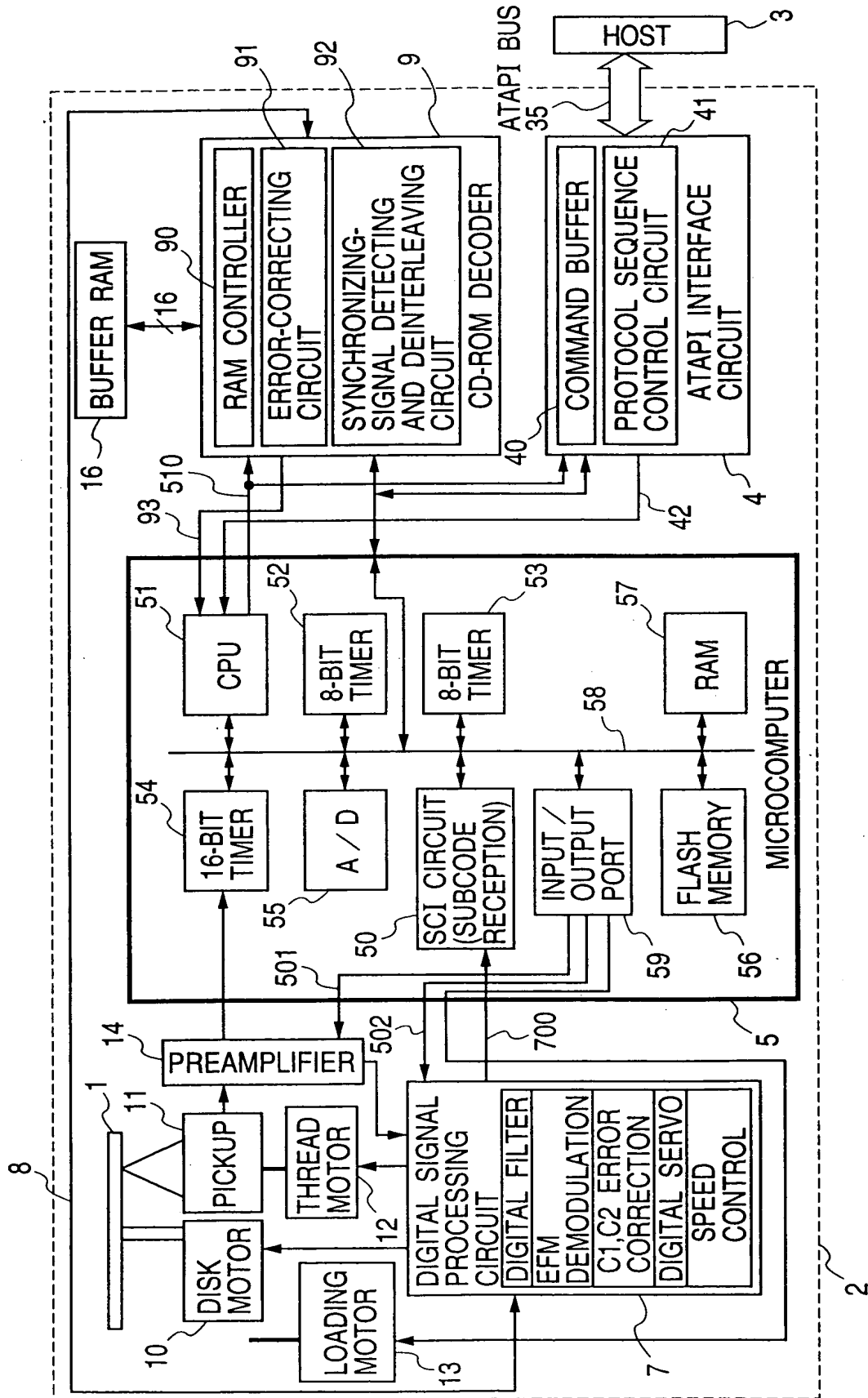


FIG. 2

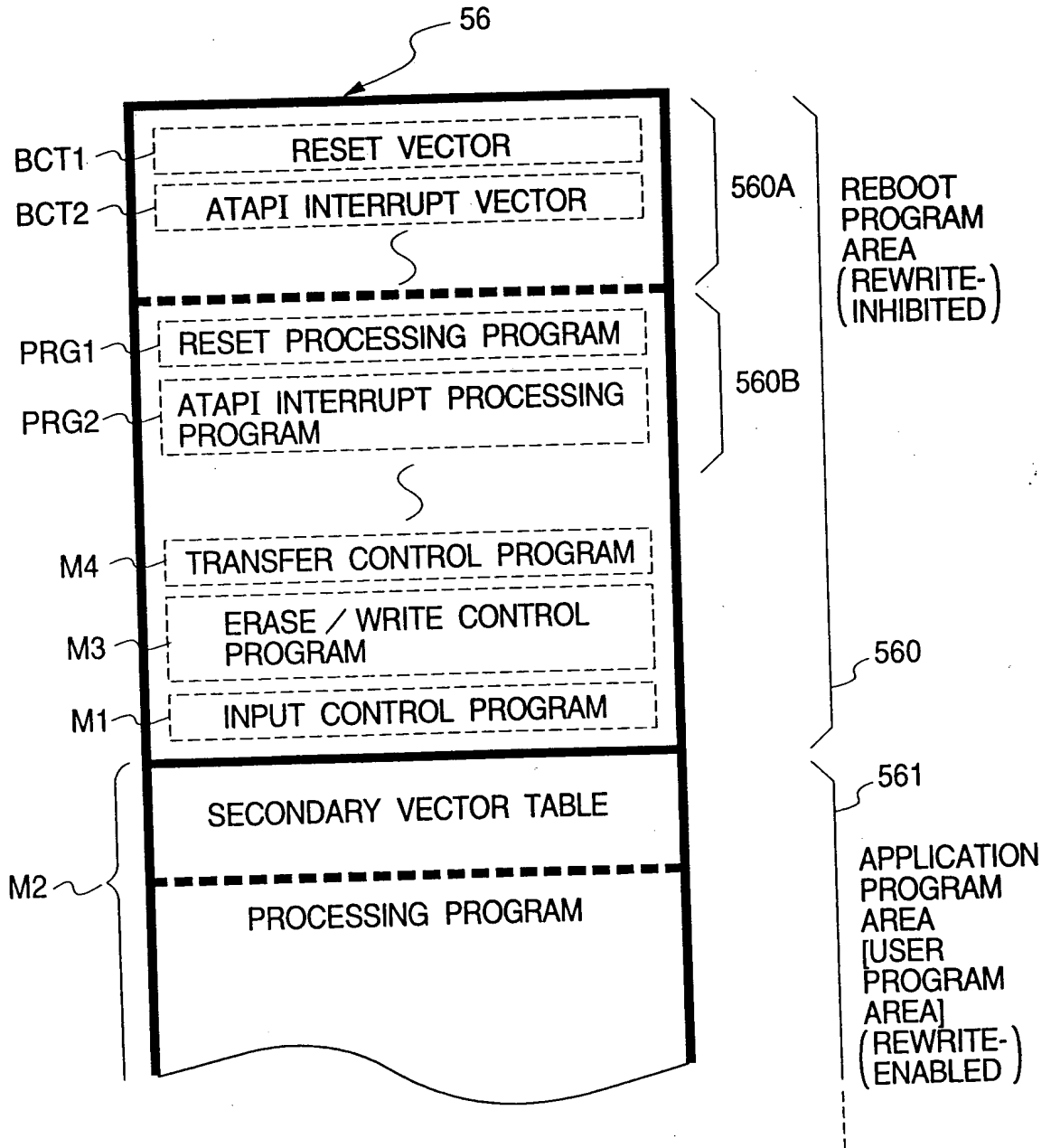


FIG. 3

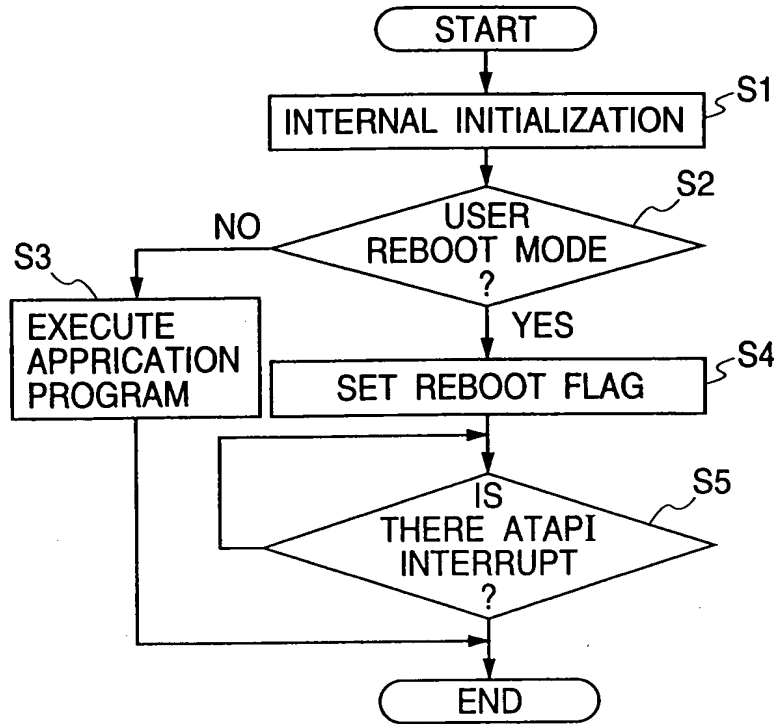


FIG. 4

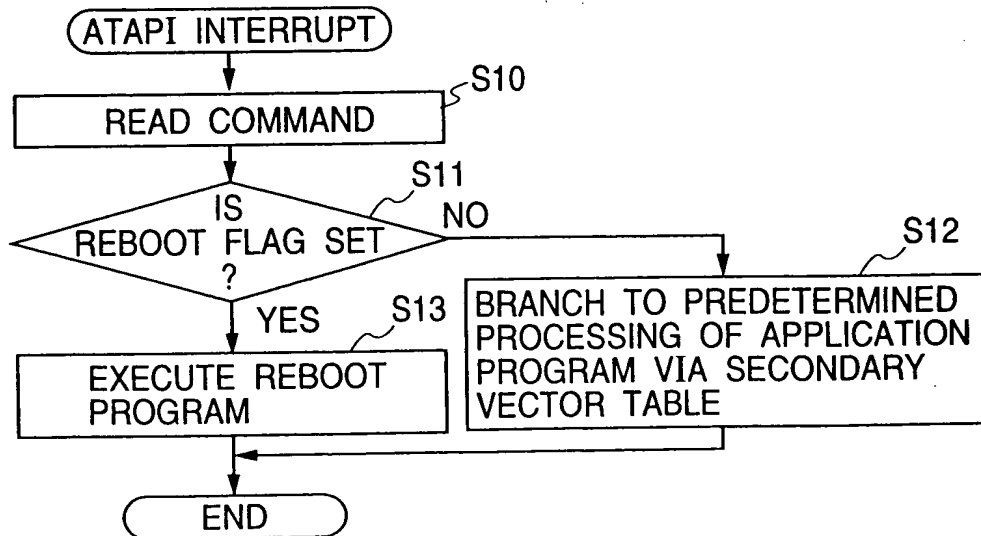


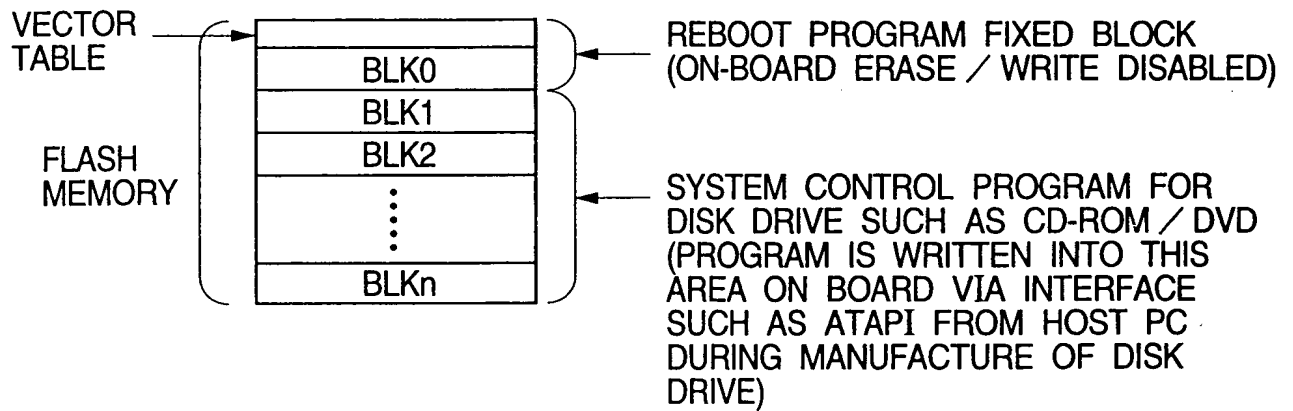
FIG. 5

FIG. 6

PROCESS OF MANUFACTURING MICROCOMPUTER HAVING BUILT-IN FLASH MEMORY

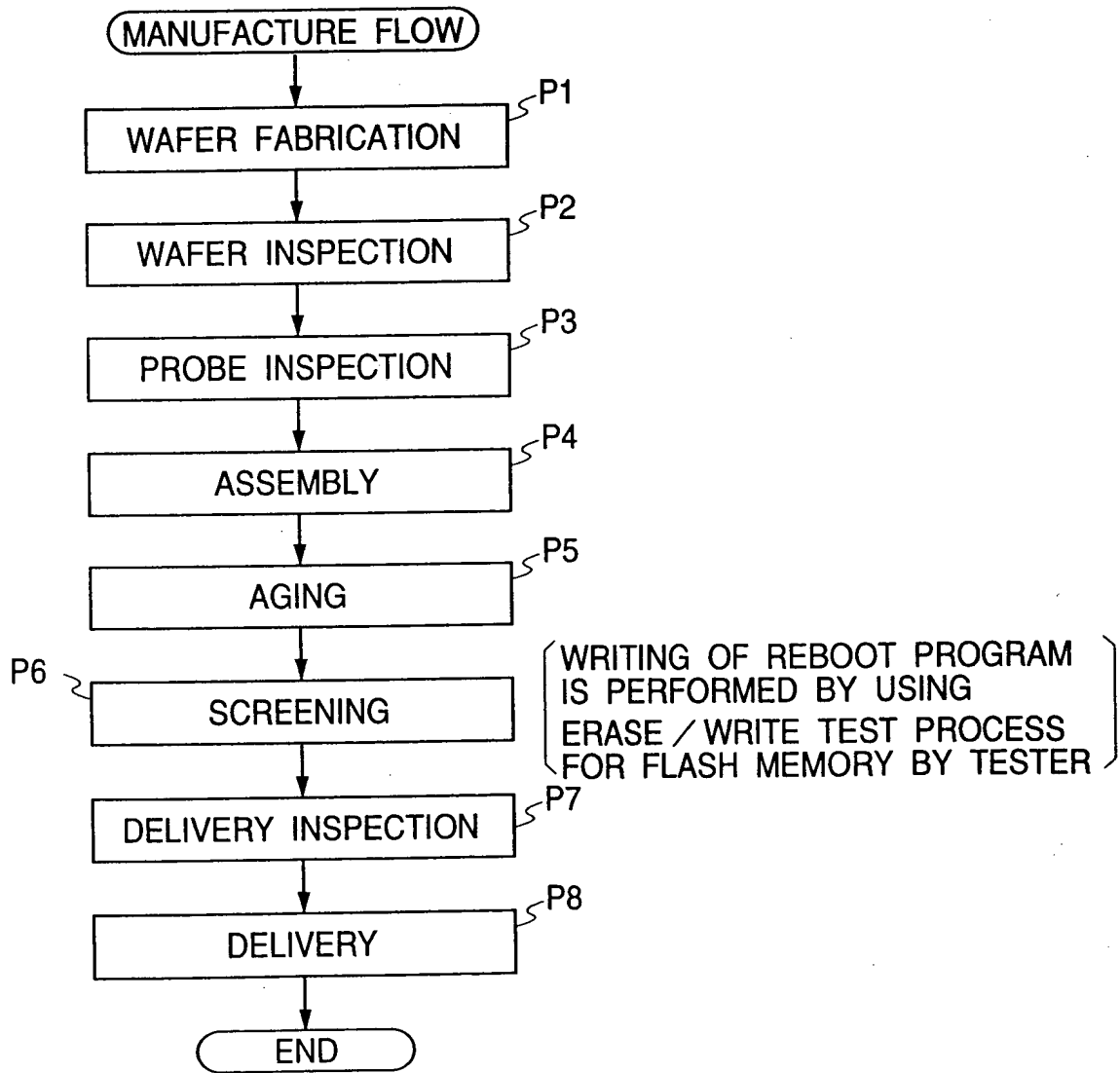


FIG. 7

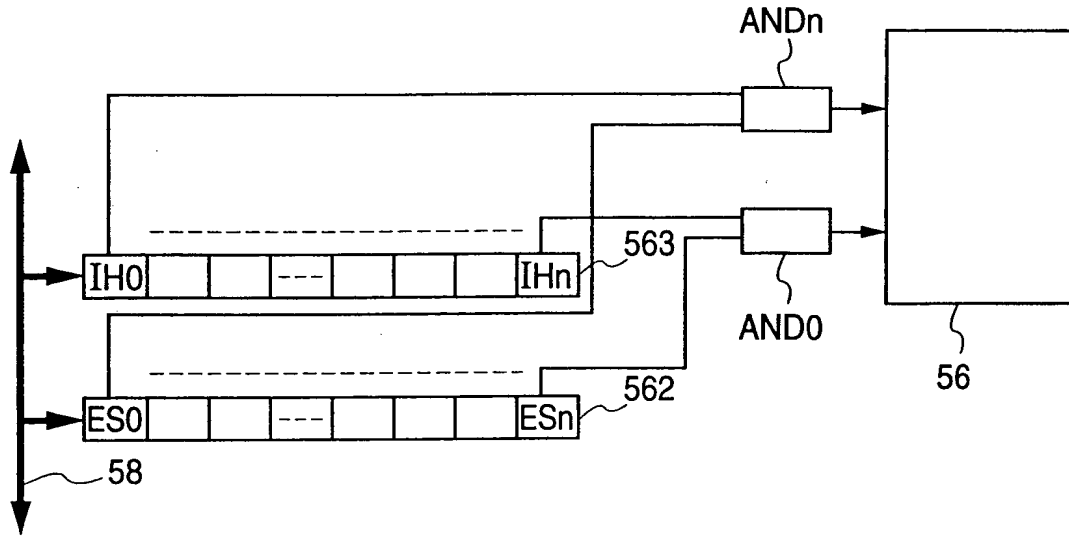


FIG. 8

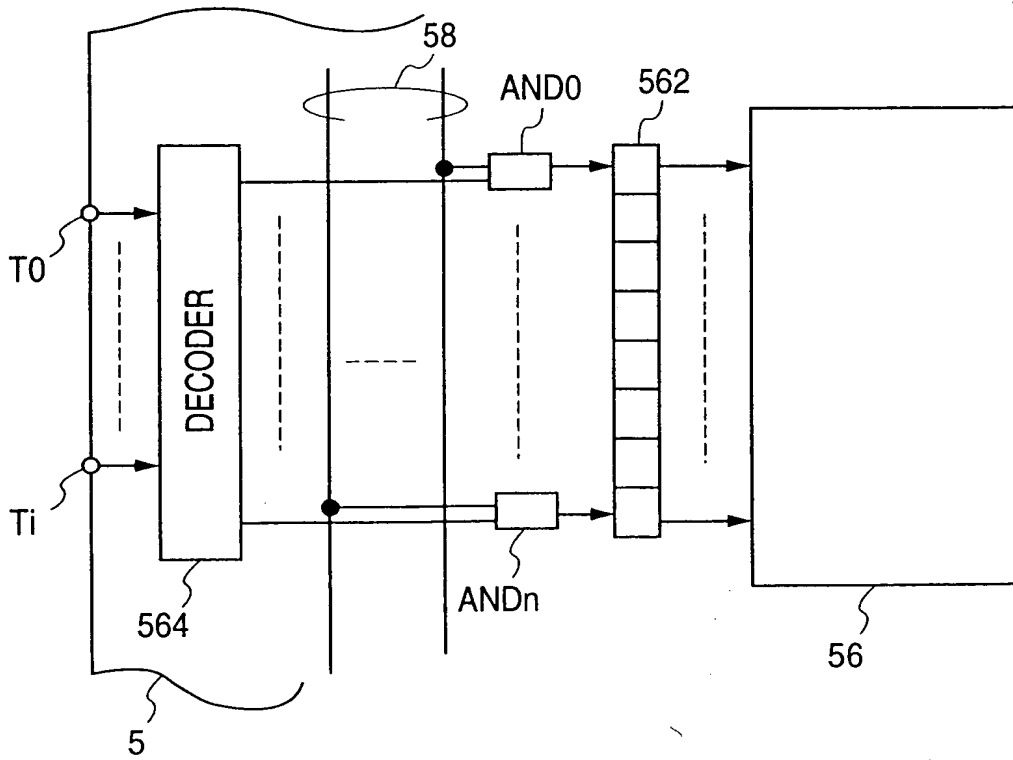


FIG. 9

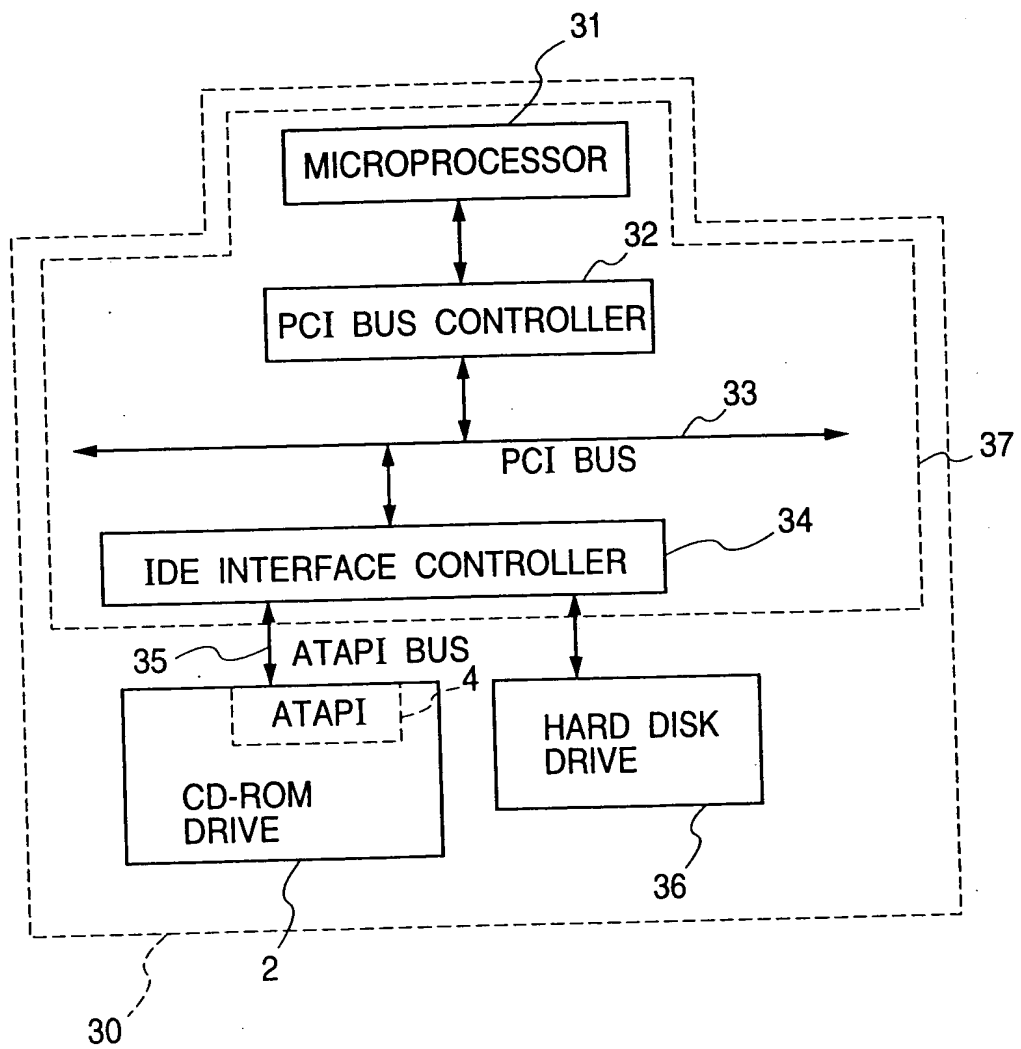


FIG. 10

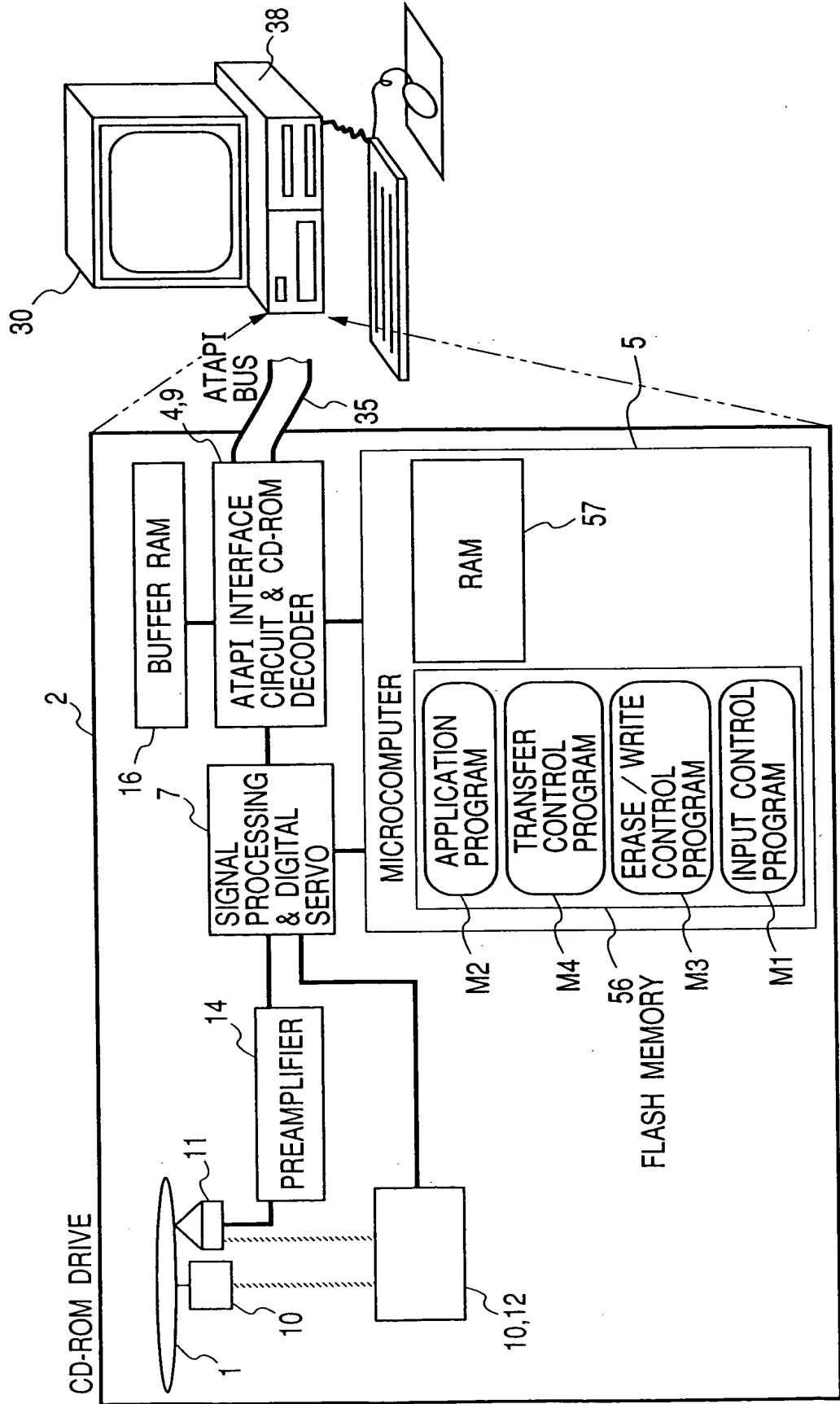


FIG. 11

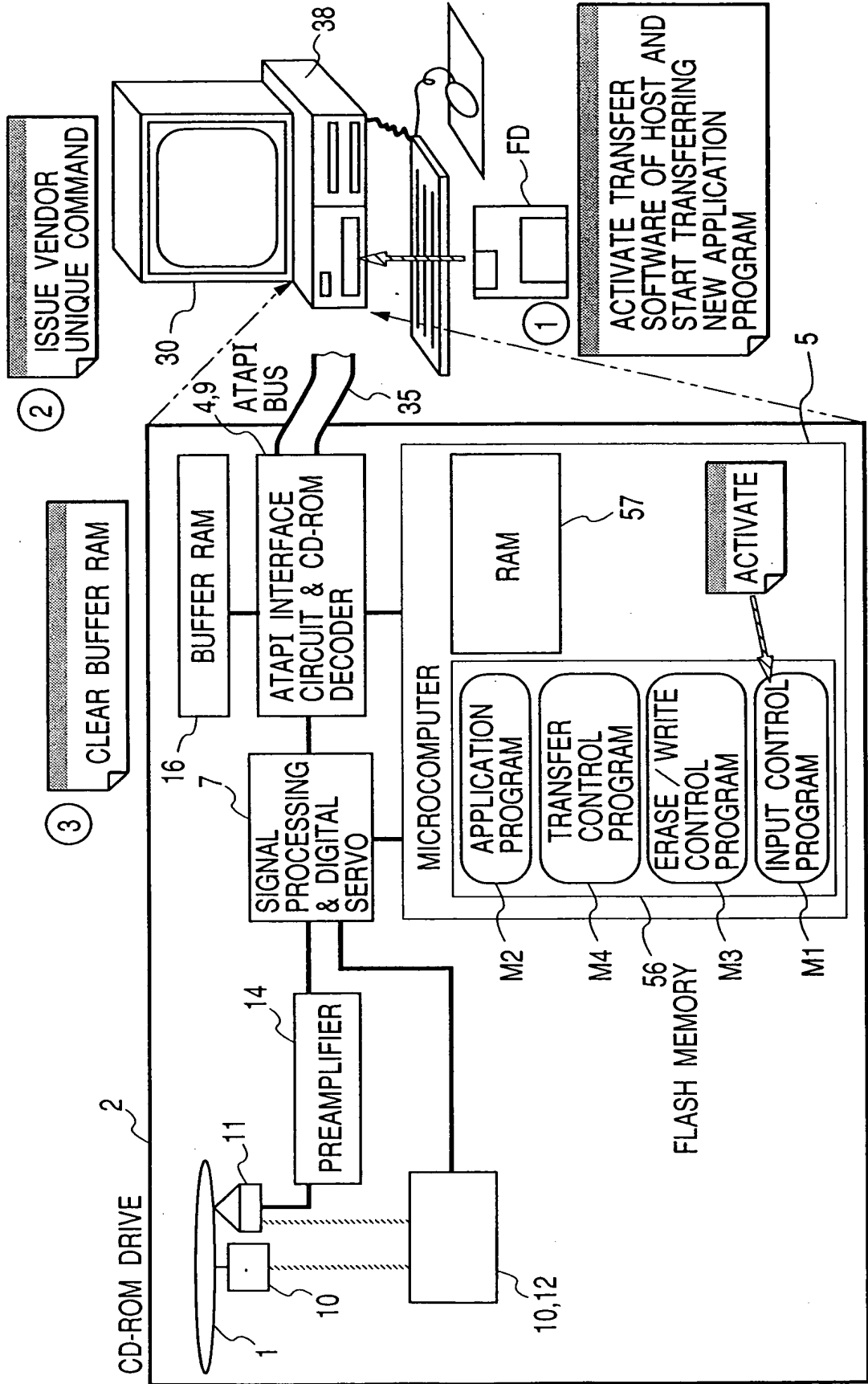


FIG. 12

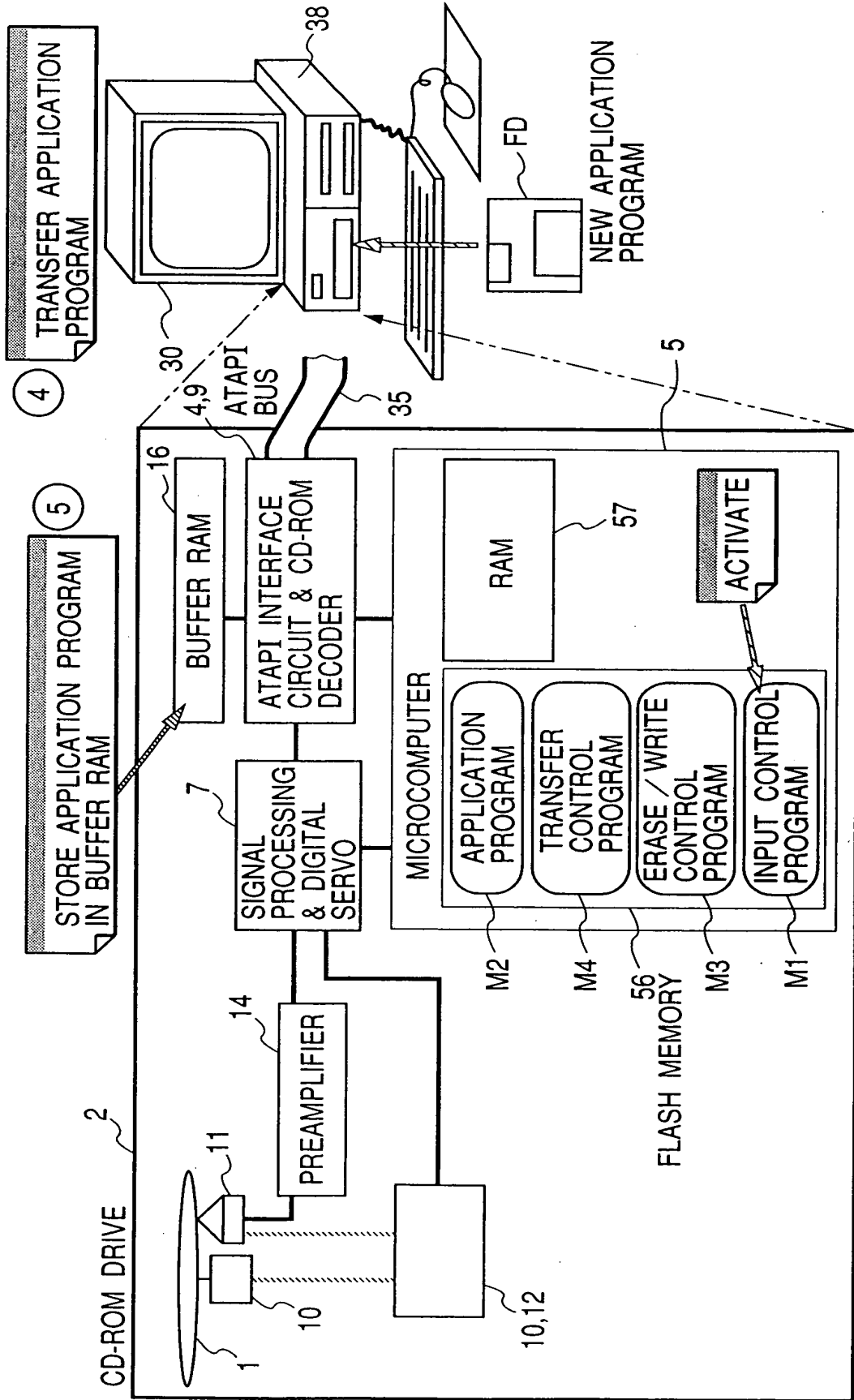


FIG. 13

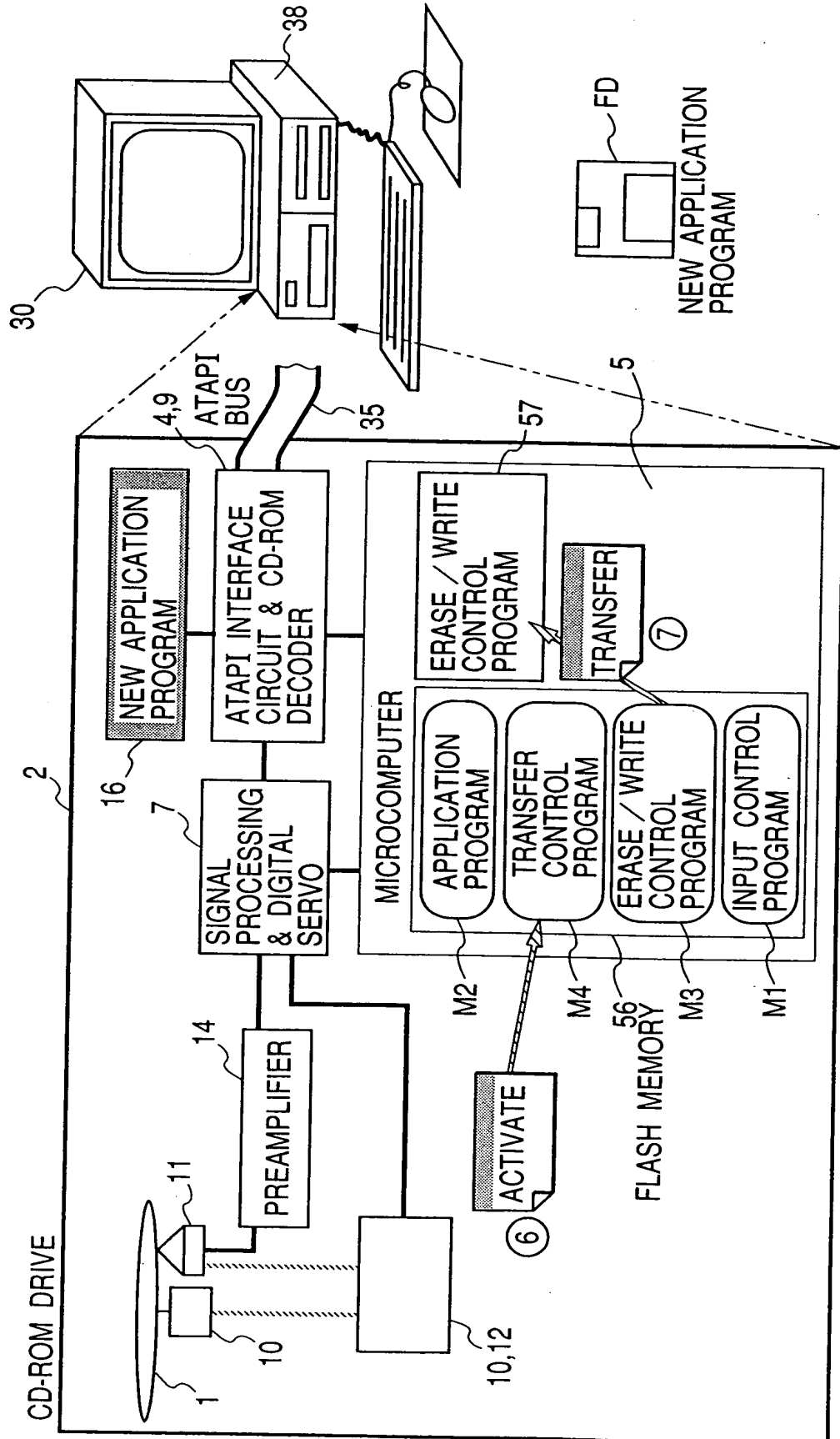
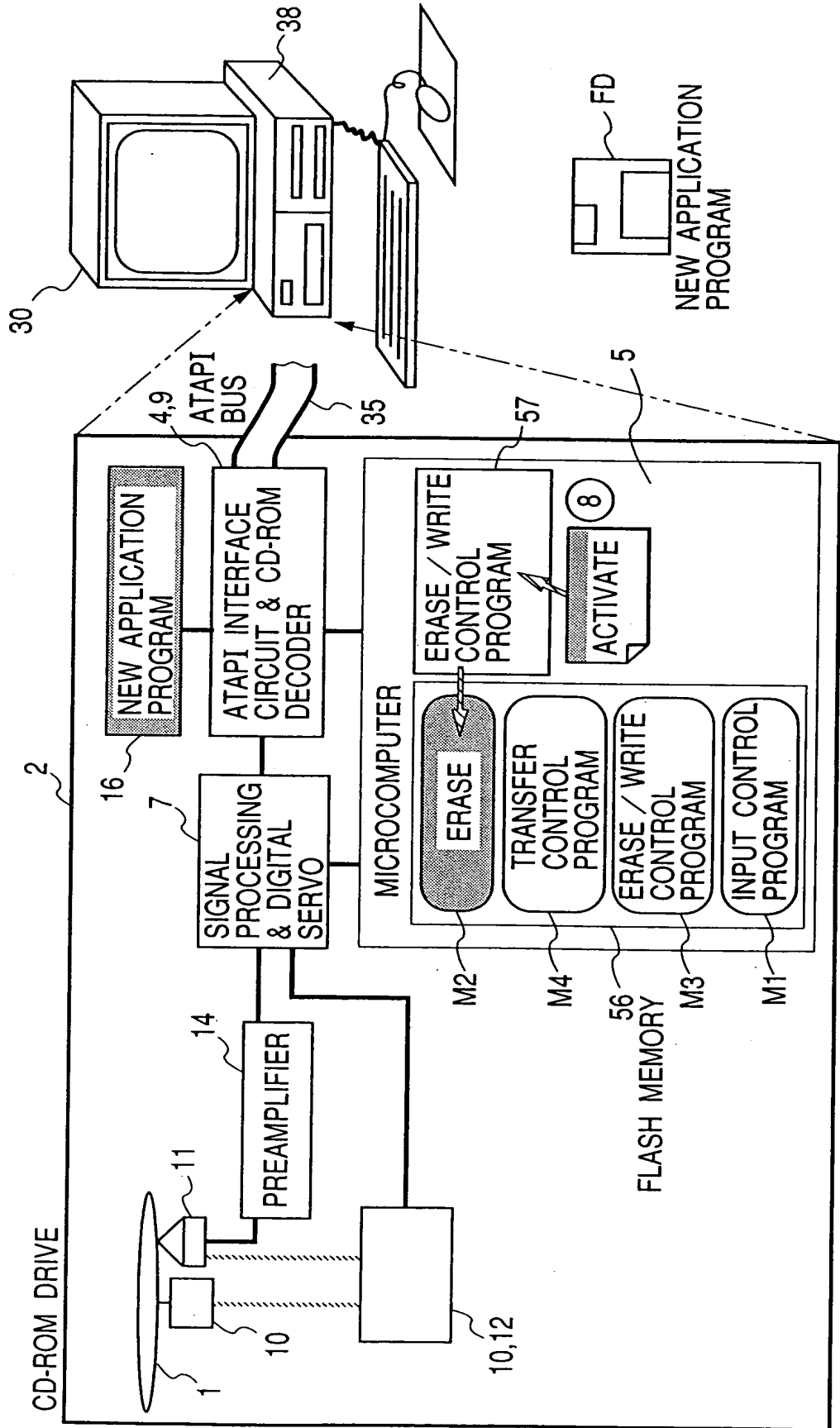


FIG. 14



CD-ROM DRIVE

NEW APPLICATION PROGRAM

FLASH MEMORY

NEW APPLICATION PROGRAM

ERASE / WRITE CONTROL PROGRAM

ACTIVATE (8)

MICROCOMPUTER

ERASE

TRANSFER CONTROL PROGRAM

ERASE / WRITE CONTROL PROGRAM

INPUT CONTROL PROGRAM

ATAPI INTERFACE CIRCUIT & CD-ROM DECODER

SIGNAL PROCESSING & DIGITAL SERVO

4,9 ATAPI BUS

PREAMPLIFIER

10,12

30

38

FD

5

M2

M4

56

M3

M1

16

14

10

10,12

35

57

5

(8)

FIG. 15

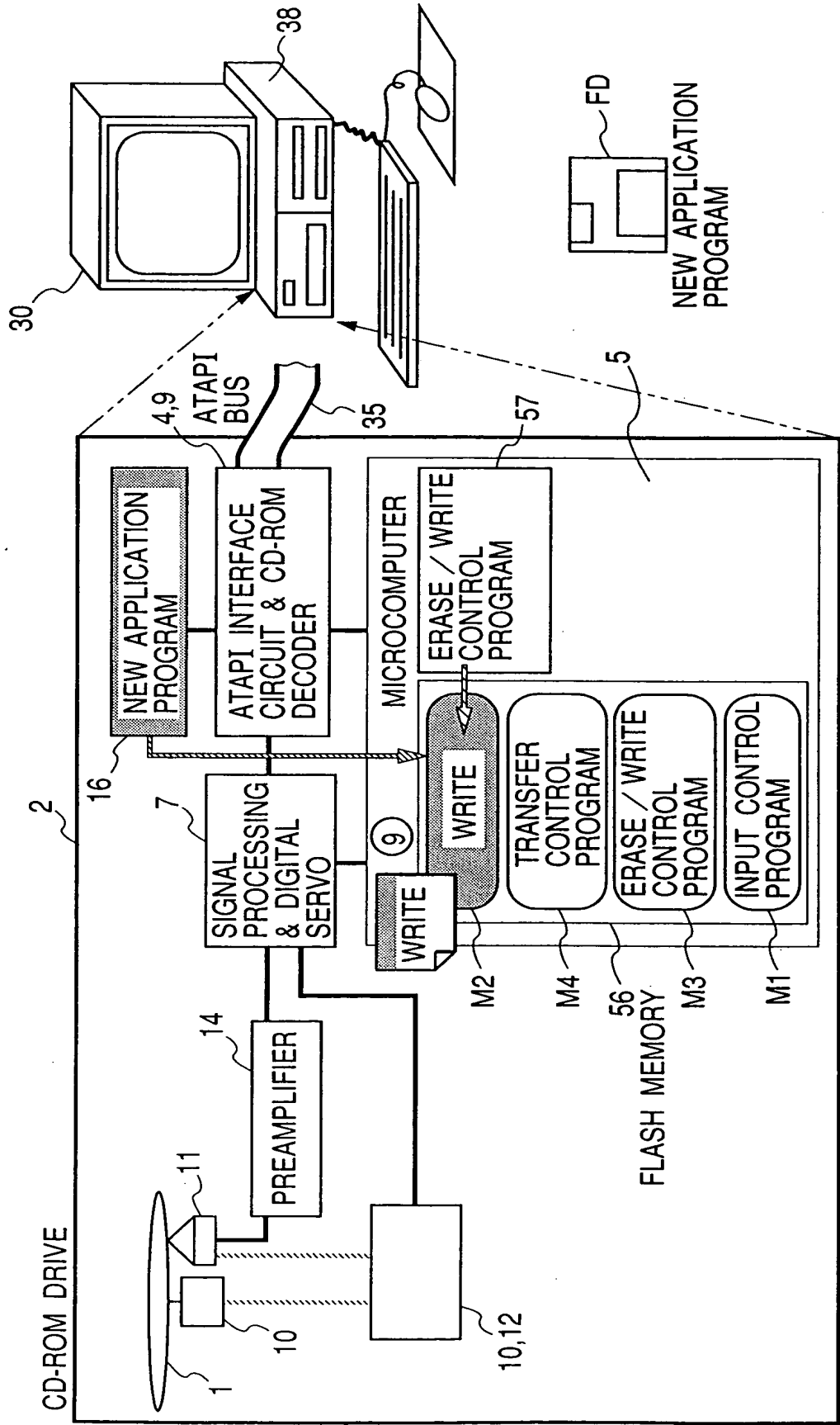


FIG. 16

USER PROGRAM AREA REWRITING FLOWCHART

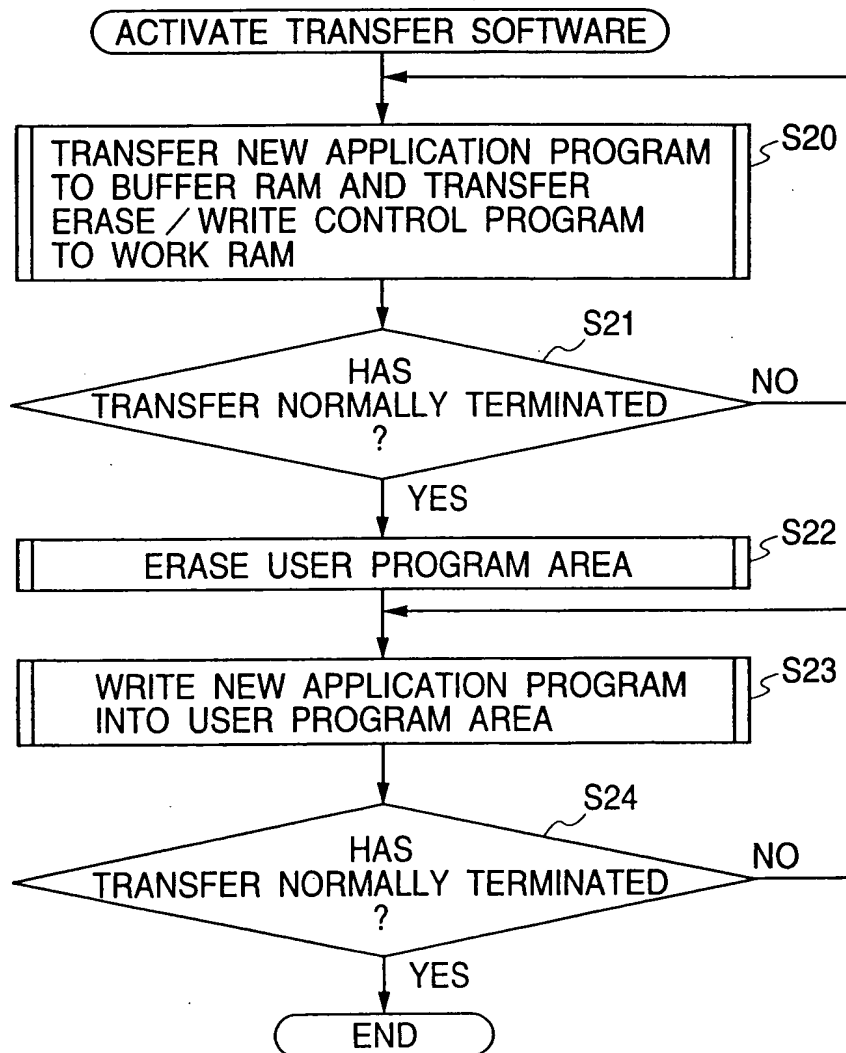


FIG. 17

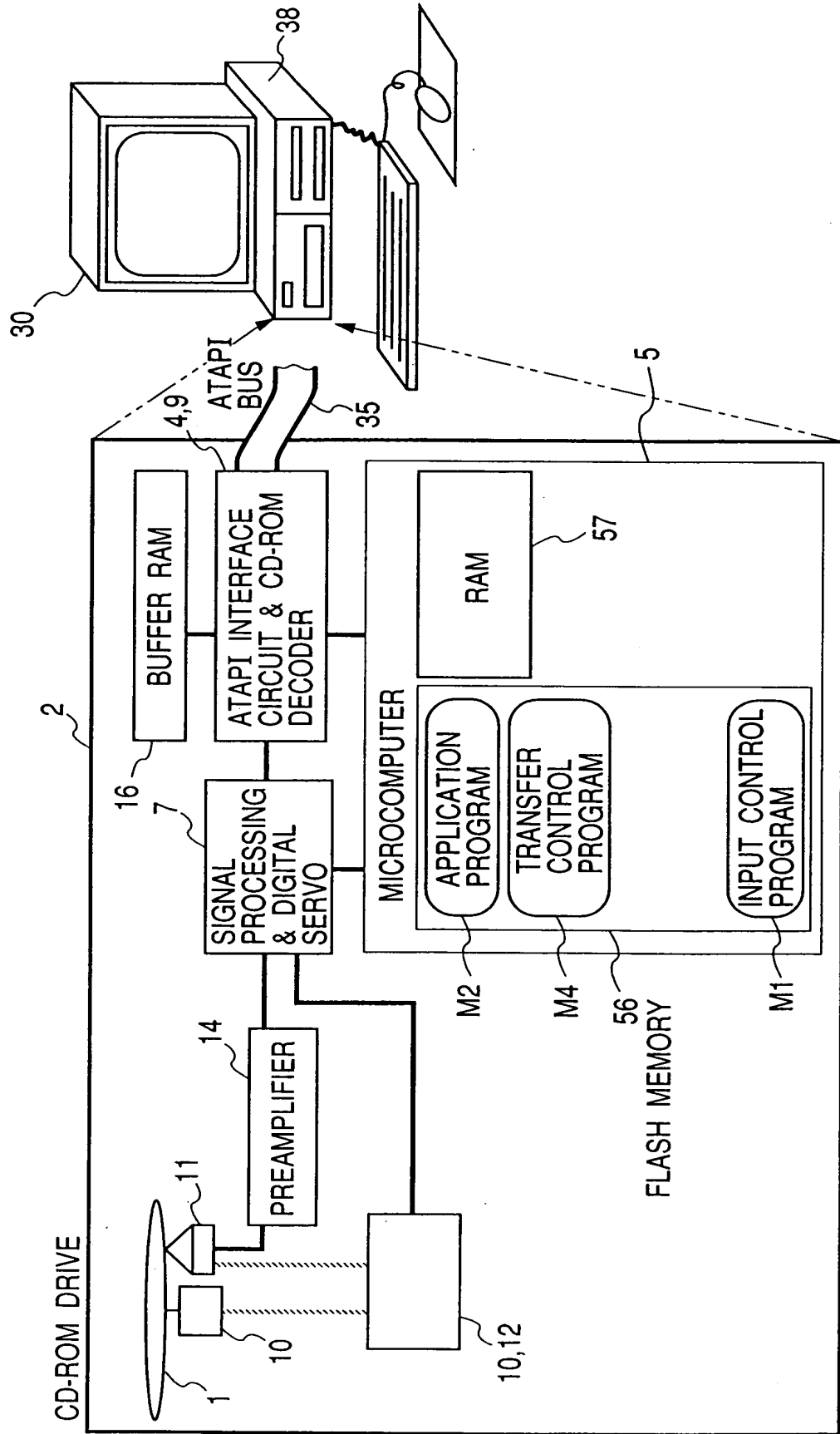


FIG. 18

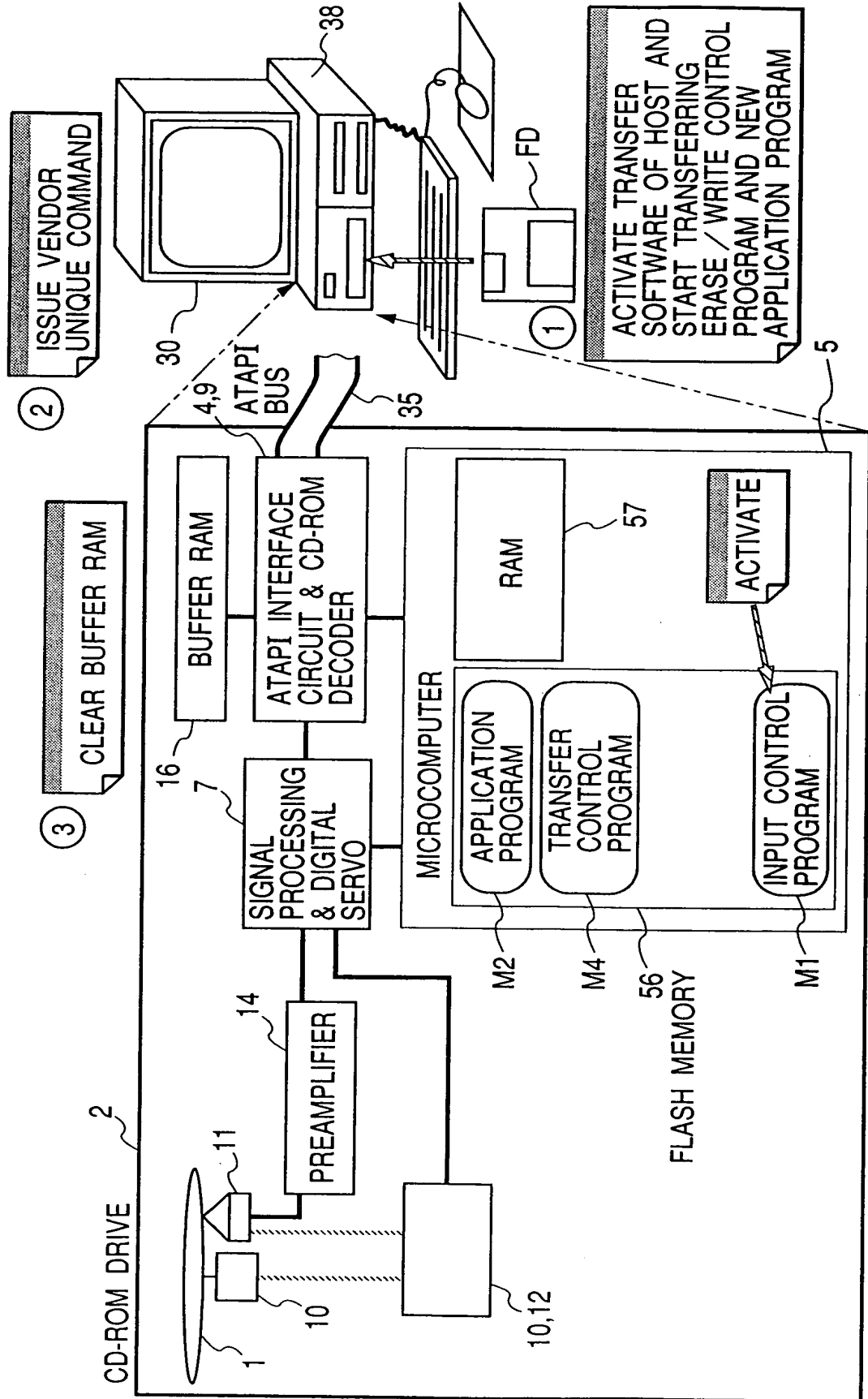


FIG. 19

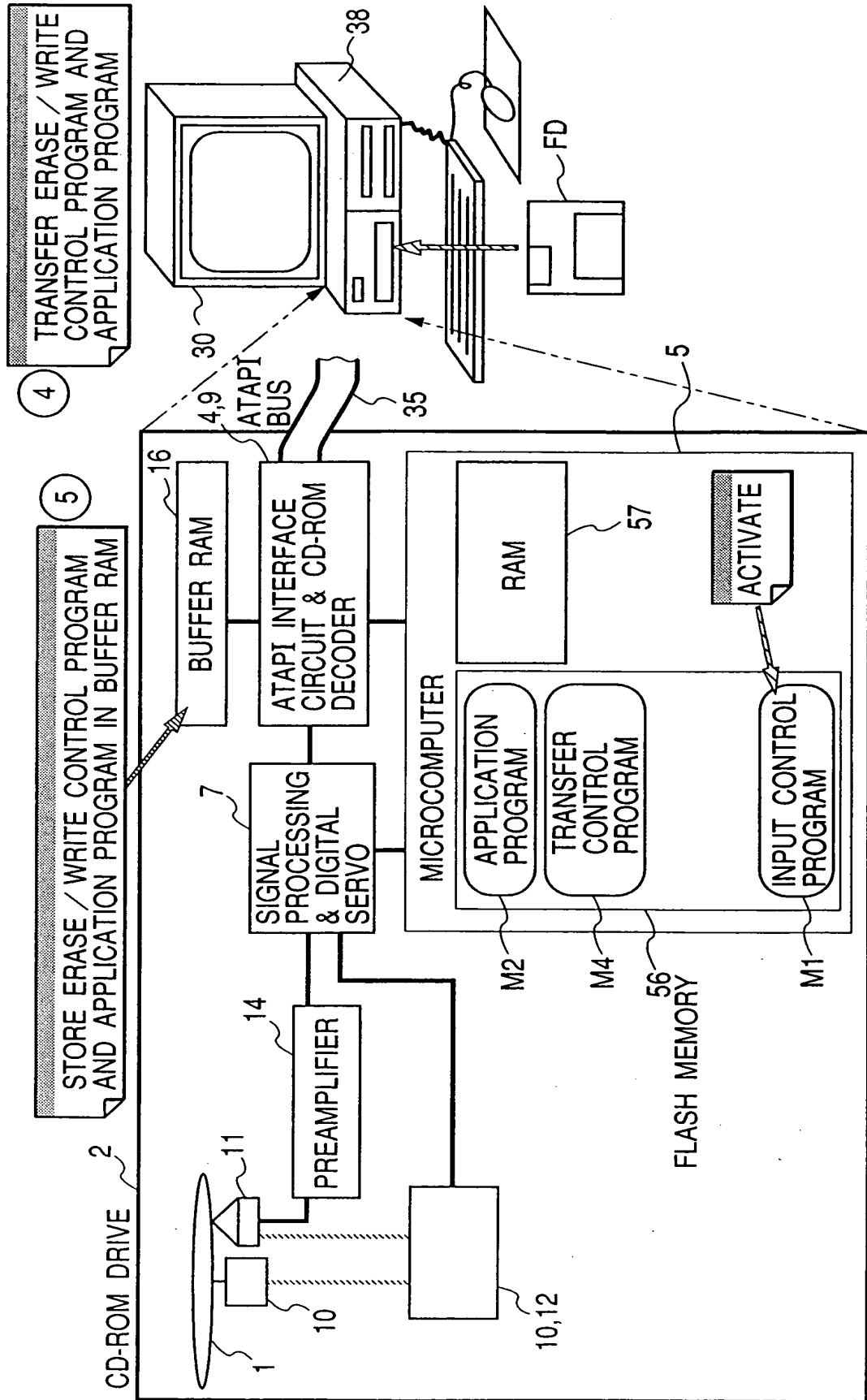


FIG. 20

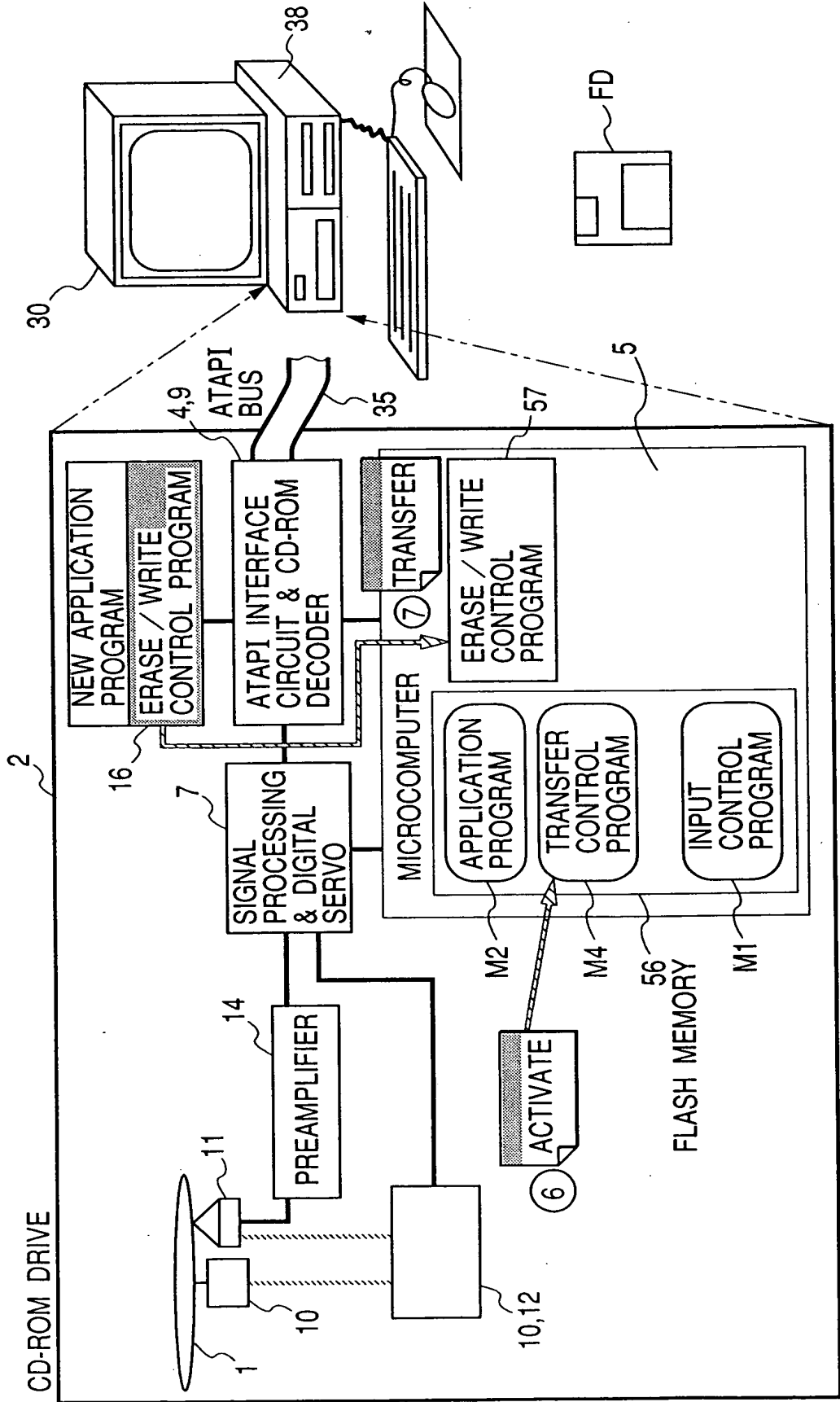


FIG. 21

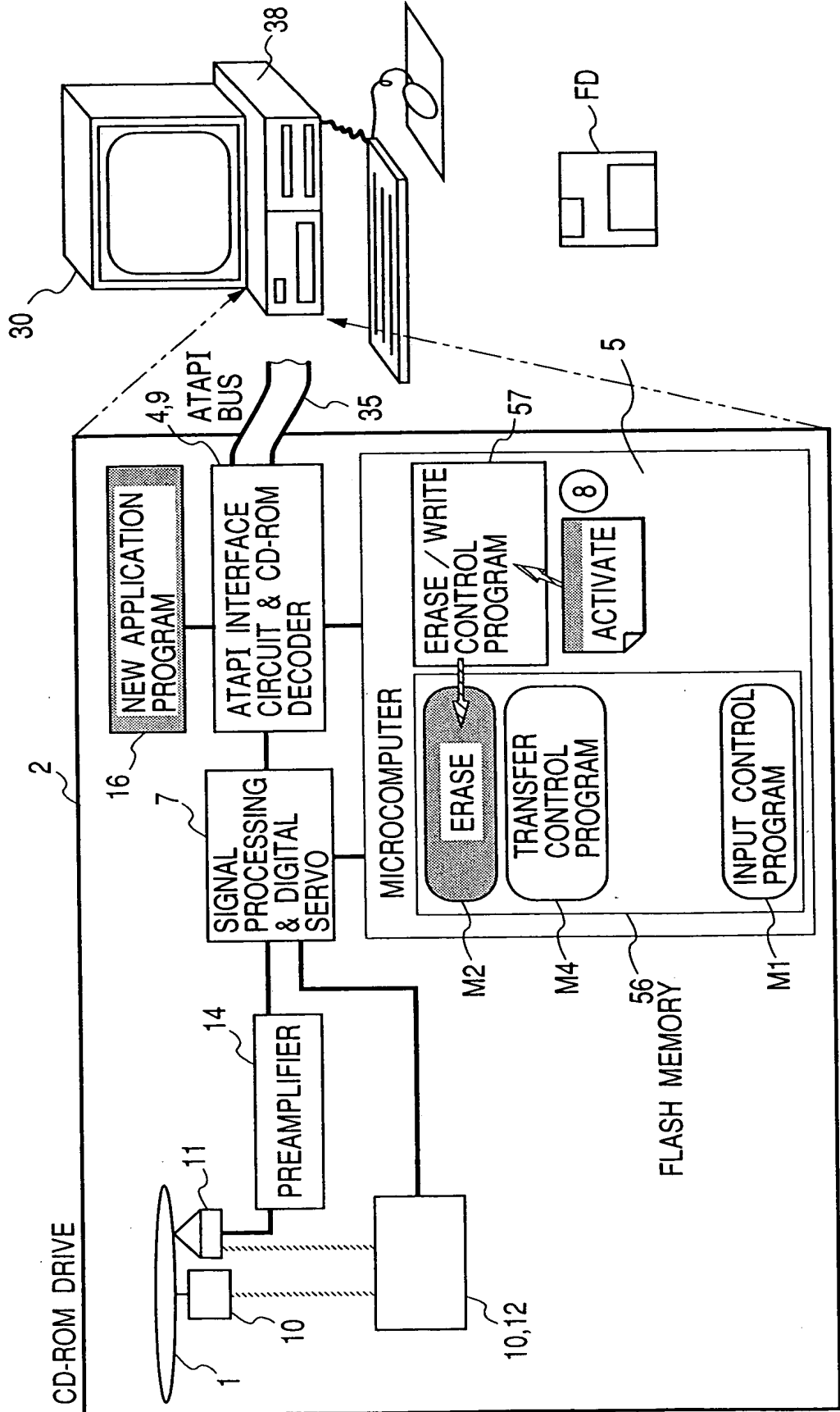


FIG. 22

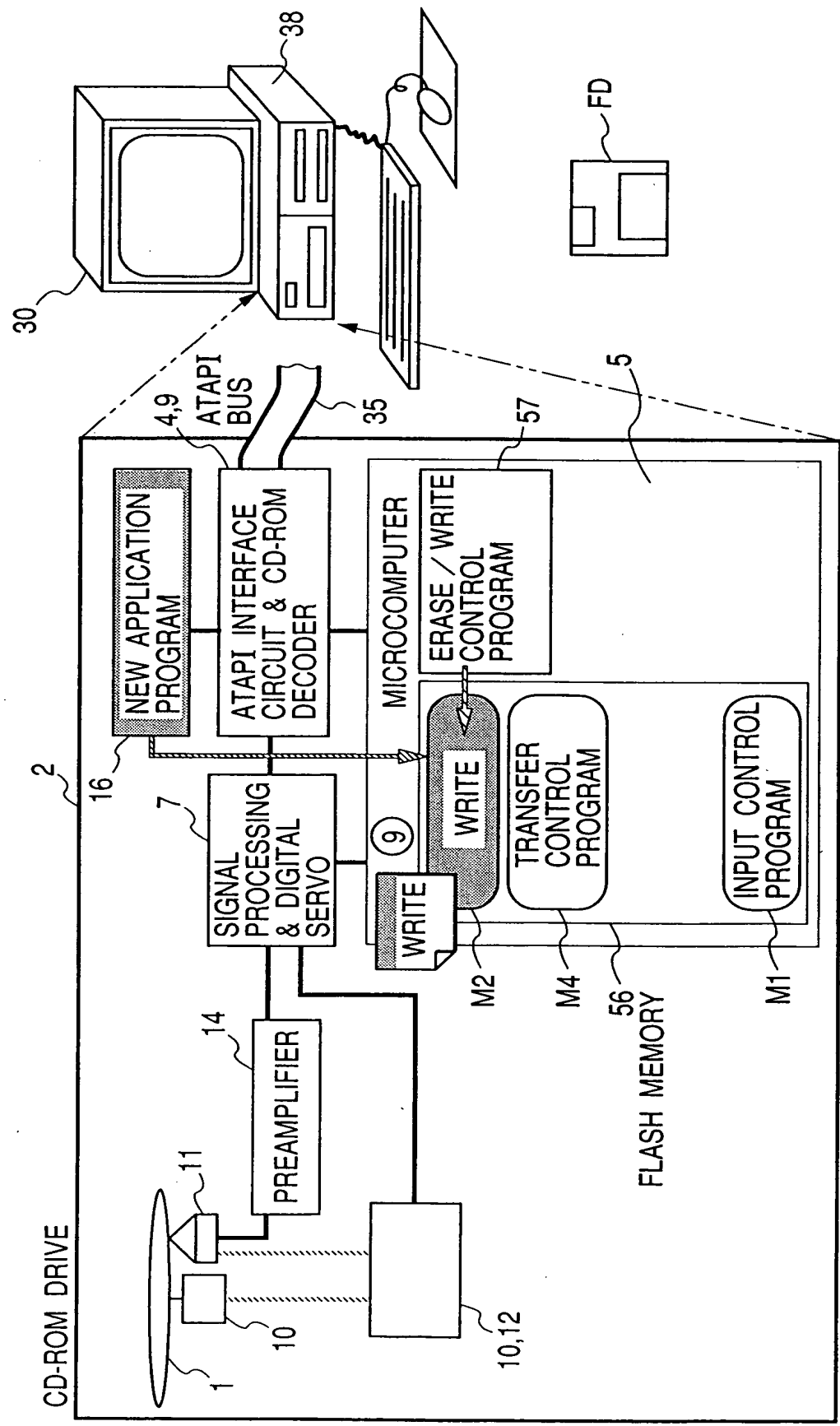


FIG. 23

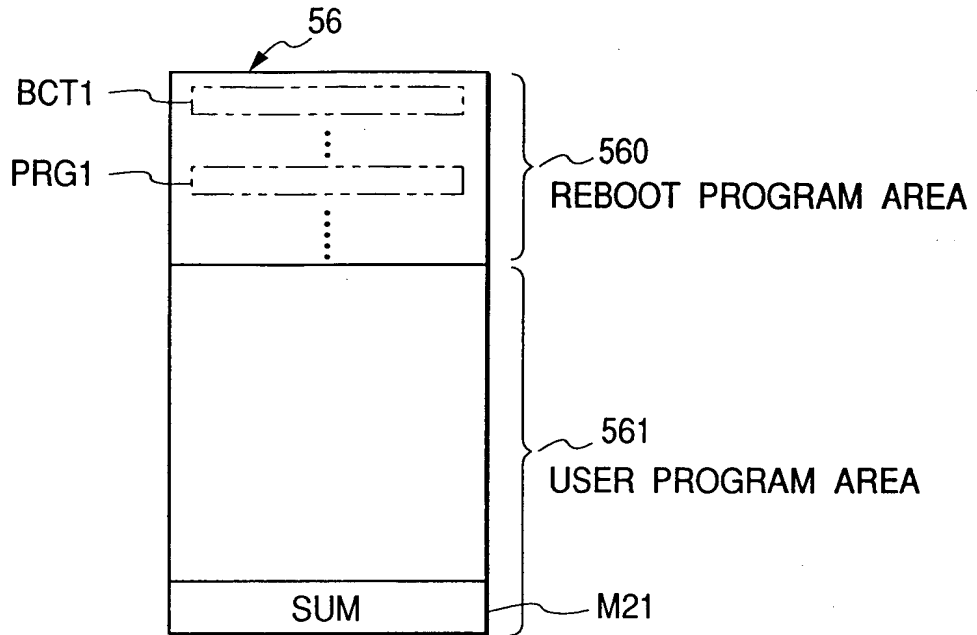


FIG. 25

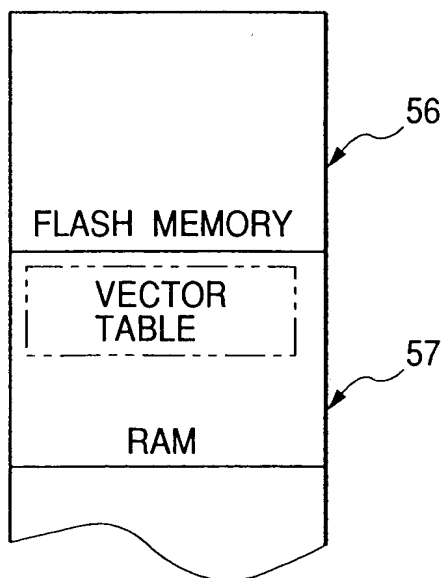


FIG. 24

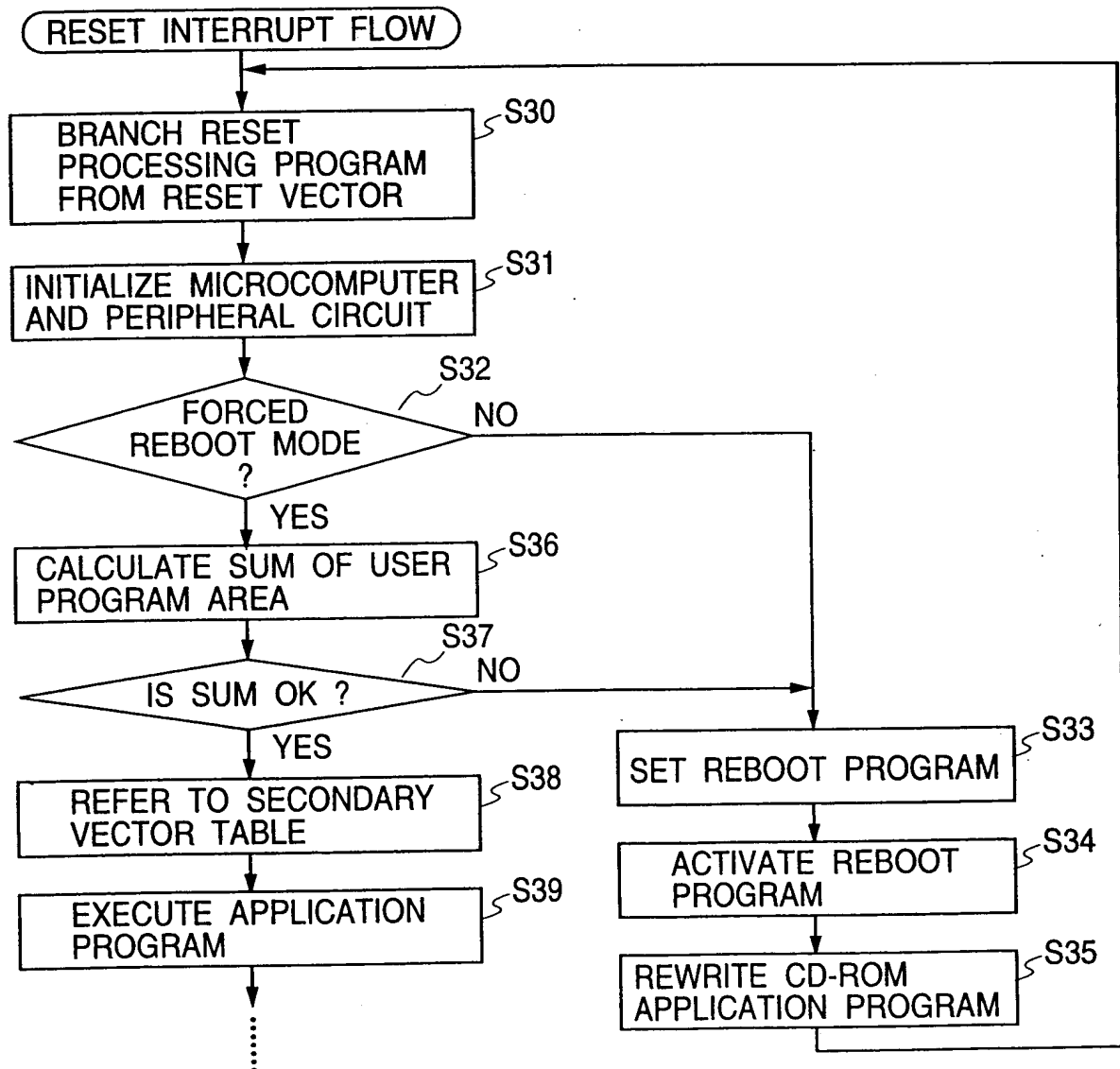


FIG. 26

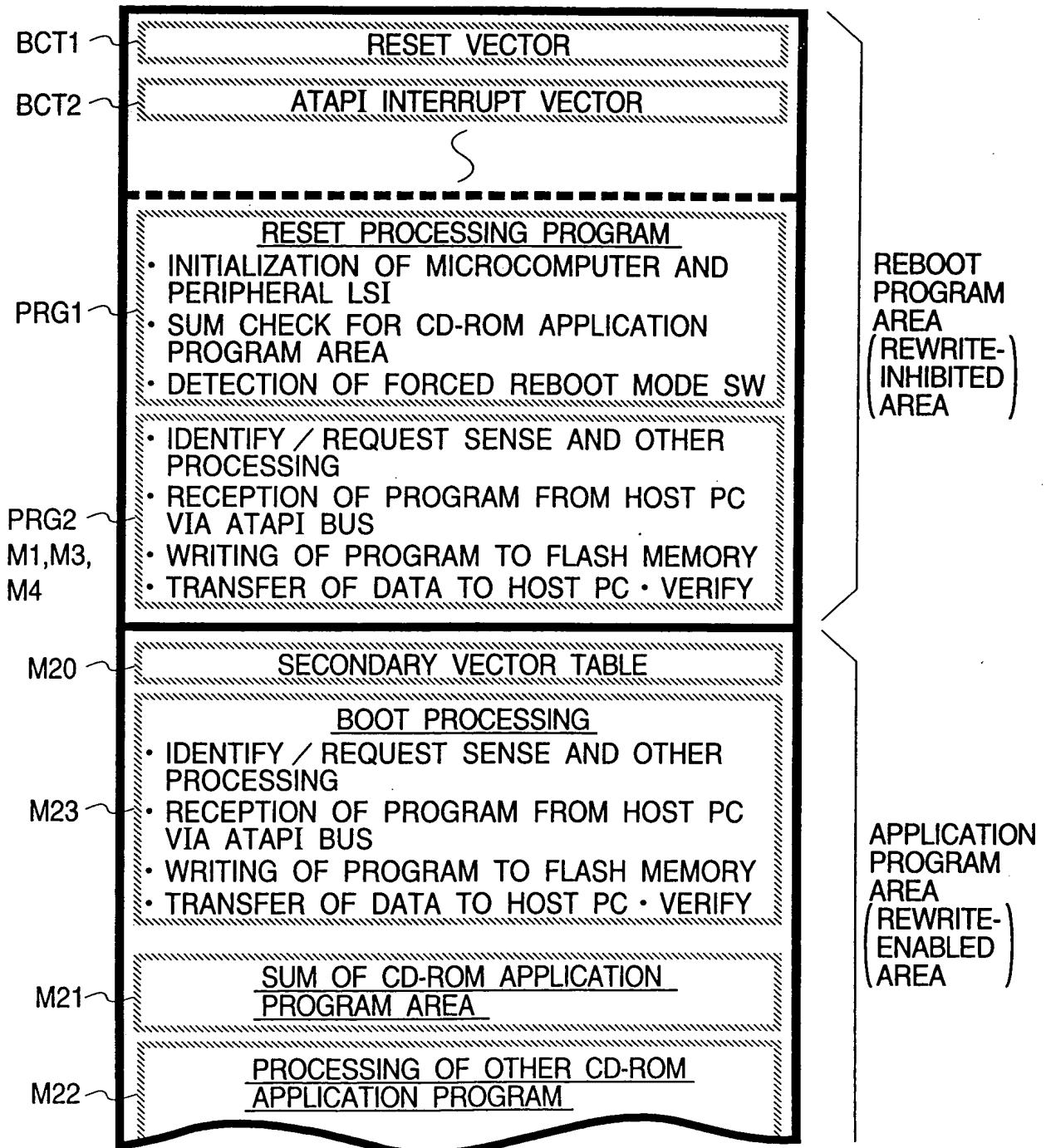


FIG. 27

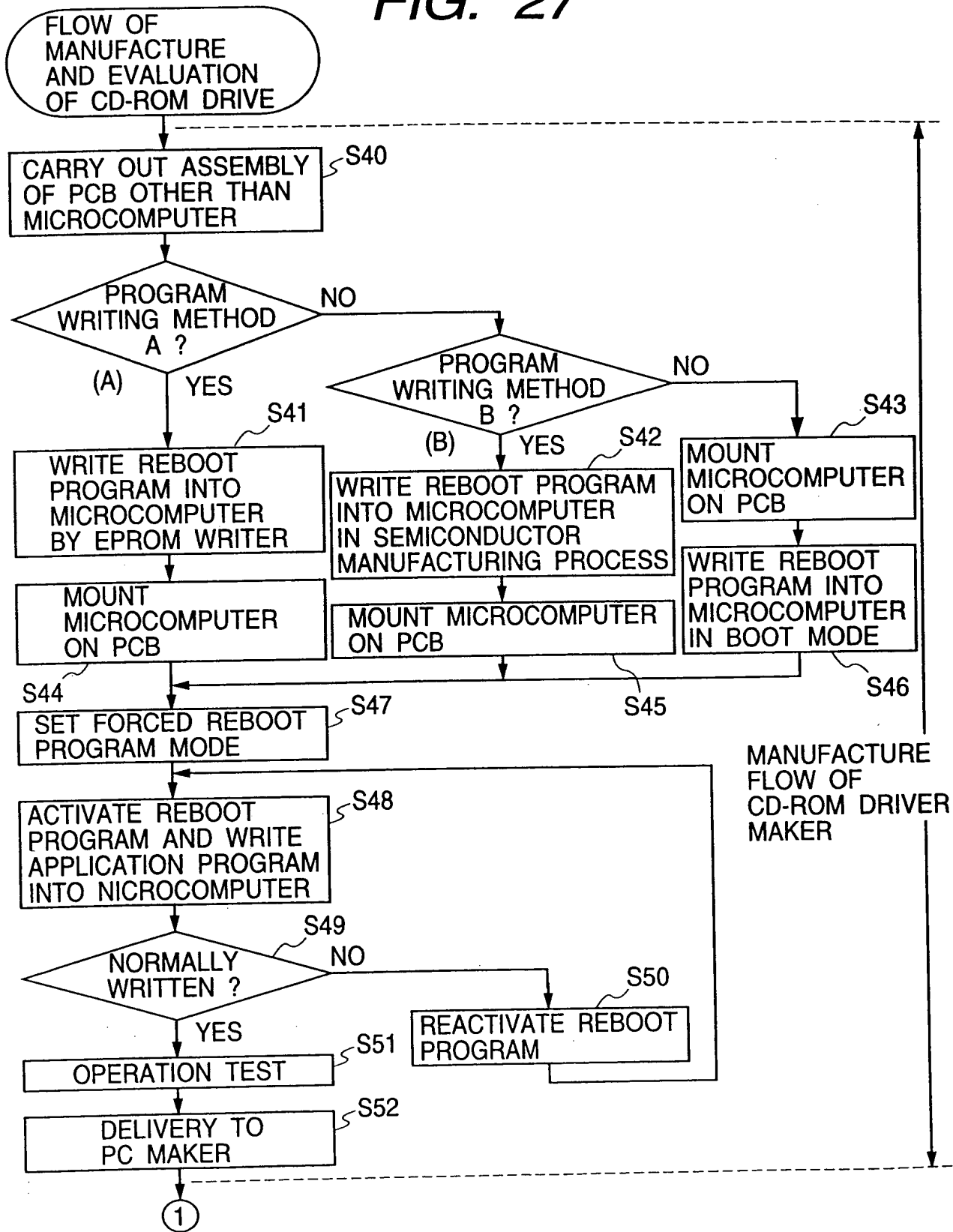


FIG. 28

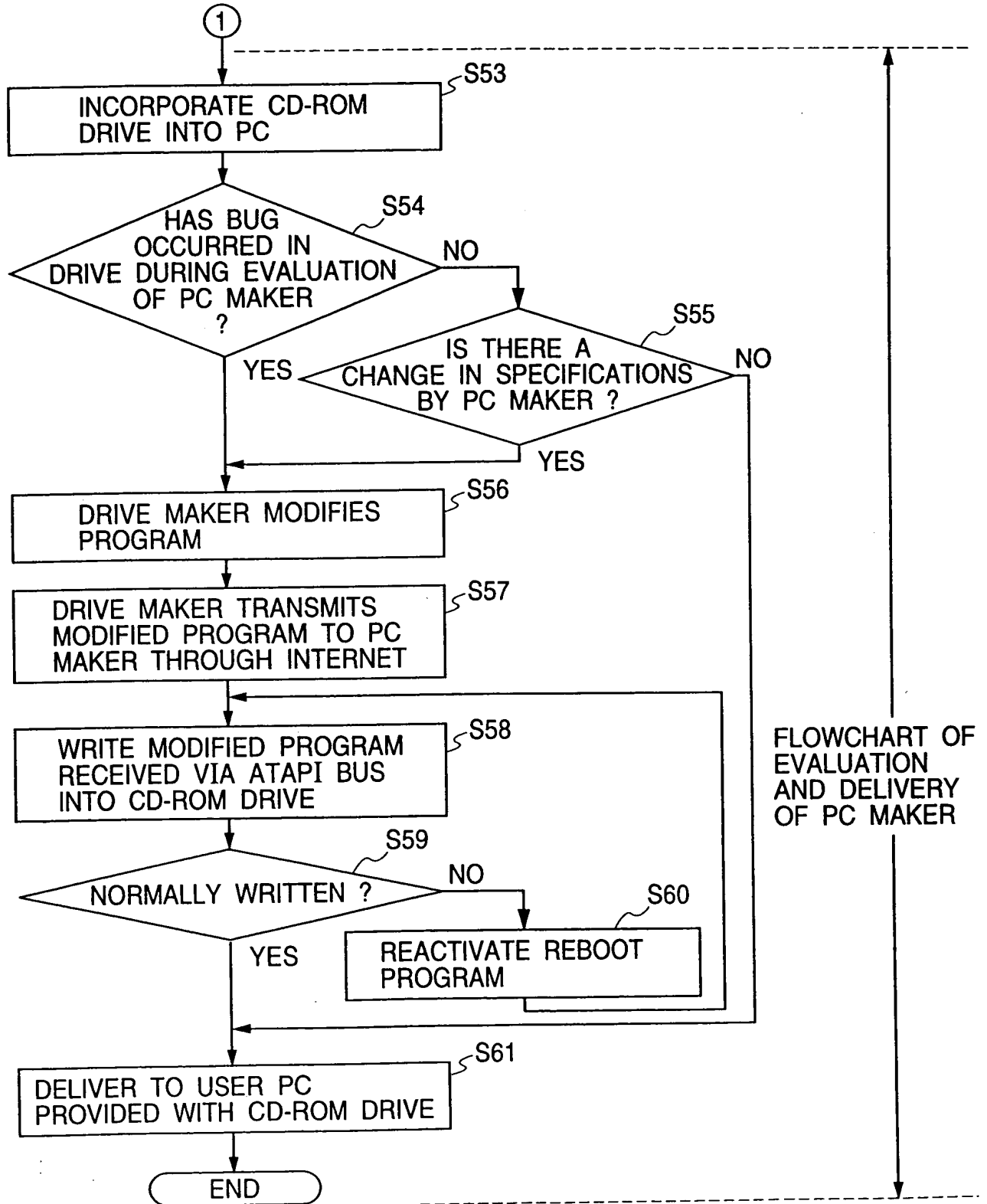


FIG. 29

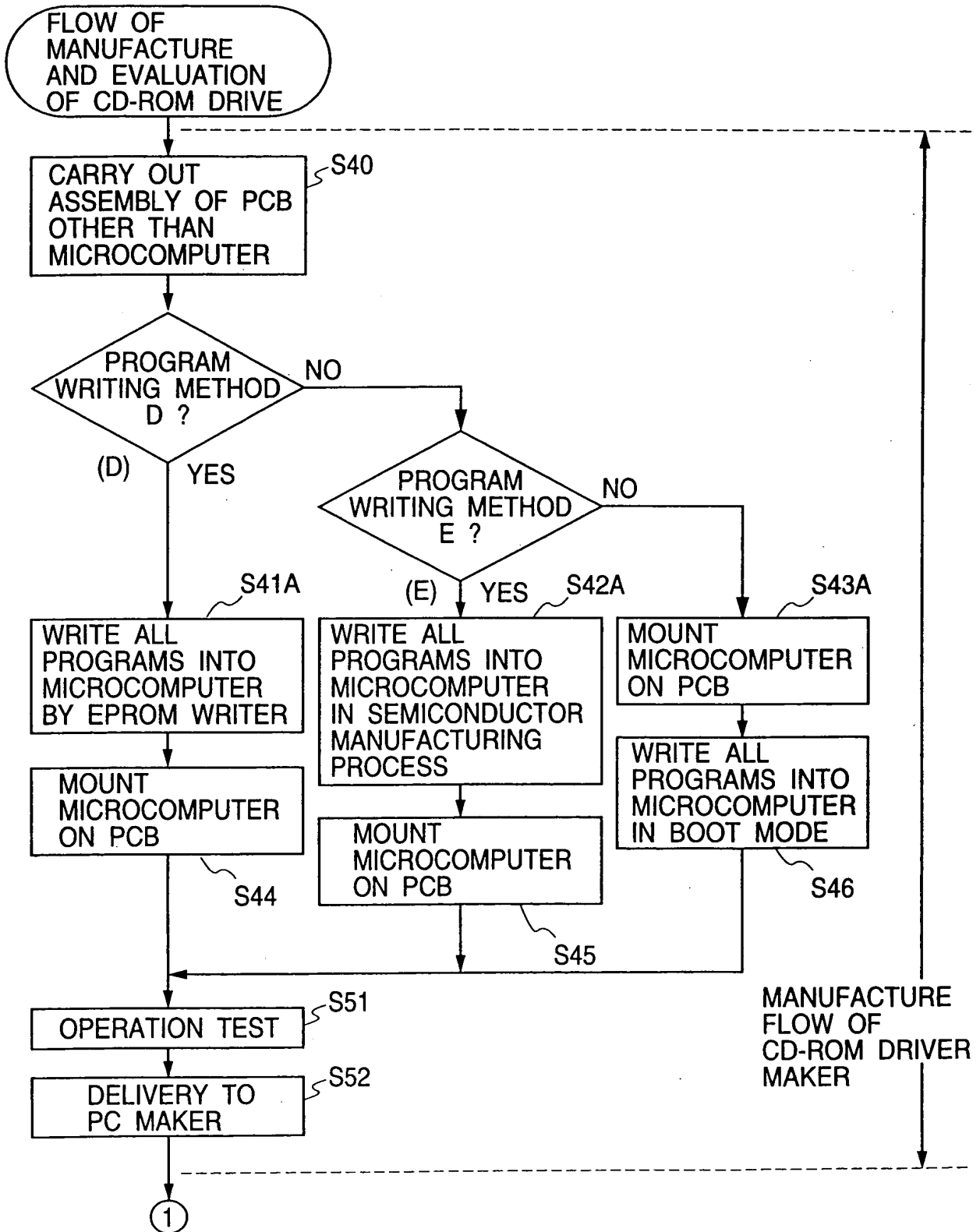


FIG. 30

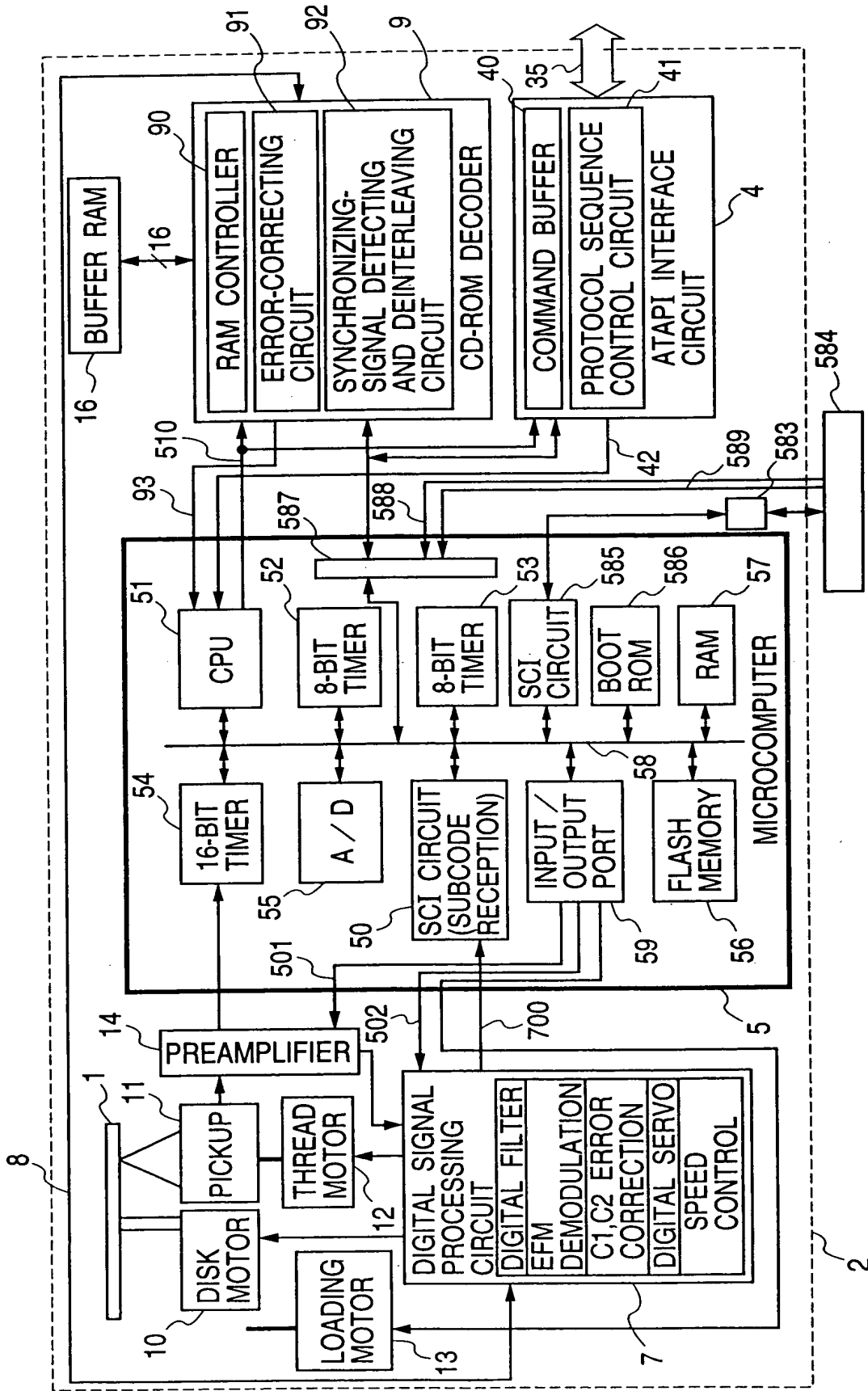


FIG. 31

